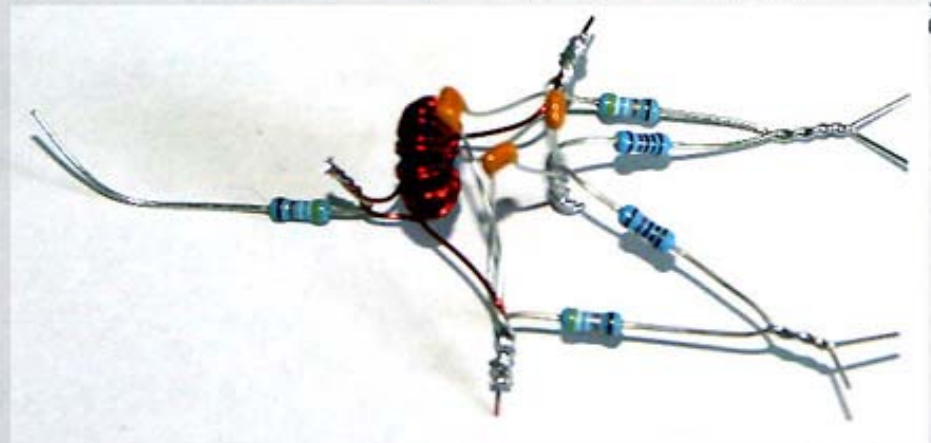
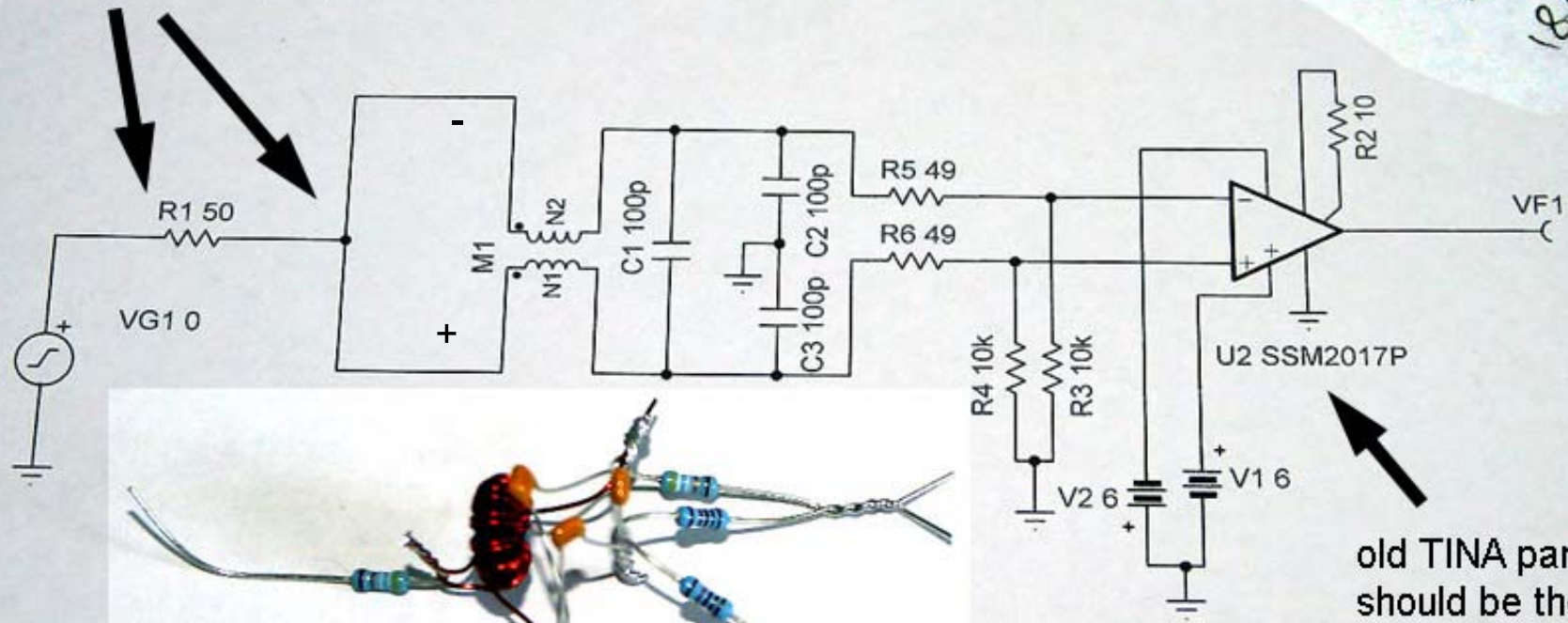


Just for testing the filter,
otherwise input is
two line differential (+ -)



1kHz -10dB
300kHz -8.5dB
500kHz -15dB
690kHz -10dB
1.2MHz -13dB
3MHz -20dB
18MHz -30dB
100dB

old TINA part,
should be the ADI
SSM2019, see
Nov, '09 journal notes